

NSR's new echo sounder:

- SDR (Software Defined Radio) technology
- High accuracy and stability
- Large color LCD, touch screen operation
- Android O/S for easy operation
- Auto depth detection, auto range and auto gain functions
- BAM alarm function
- Meet the IMO and ISO standards
- Type approval with CCS



NED-3007



NED-3010

- NED-3007/NED-3010 echo sounder is designed for vessel navigation, which provides reliable information about the depth of water under the vessel through transducers.
- NED-3007/NED-3010 adopts SDR technology and Android O/S.
- NED-3007/NED-3010 conforms to the standards of IMO MSC.74 (69) Annex 4: A.224 (VII), IMO MSC.302 (87), IEC 61162-1, IEC 62923-1, IEC 62923-2 and ISO DIS 9875.



SPECIFICATIONS

- Channel: 2 channels
- Frequency: 200kHz (default), 50kHz (optional)
- Range: 0 ~ 600m
- TX Power: 600W
- O/S: Android
- LCD Display: Touch screen operation
 - Size: 7 inch (NED-3007), 10.1 inch (NED-3010)
 - Resolution: 1024×600 (NED-3007), 1280×800 (NED-3010)
- Interface: I/O sentence (IEC 61162-1 & IEC 61162-2)
- Power Supply: DC 24 V (9 V ~ 36 V)
- Size: 145 (H) × 264 (W) × 83 (D) mm (NED-3007)
189.8 (H) × 321.3 (W) × 100.6 (D) mm (NED-3010)
- IP Grade: IP22 (Display Unit), IP67 (Transducer)

EQUIPMENT LIST

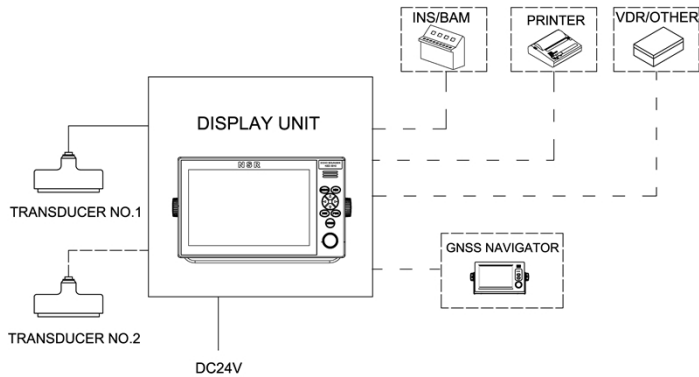
● STANDARD

- Display Unit	NED-3007D/NED-3010D	1 pc
- Transducer (15m)	NXD-200A	1 pc
- Accessories		1 set

● OPTIONS

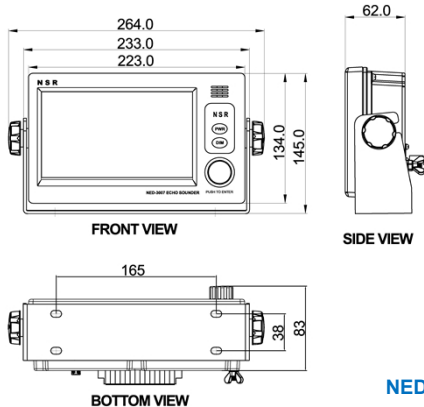
- Junction Box		1 pc
- Transducer (20m or others)	NXD-200A	1 pc
- Transducer Tank	NXT-100	1 pc
- Flush Mount Bracket		1 pc

SYSTEM DIAGRAM

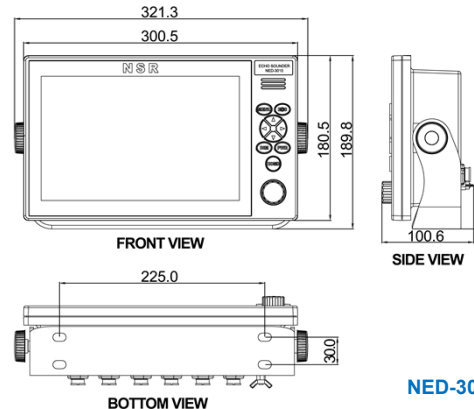


NED-3010/NED-3007

SIZE DIMENSION



NED-3007



NED-3010