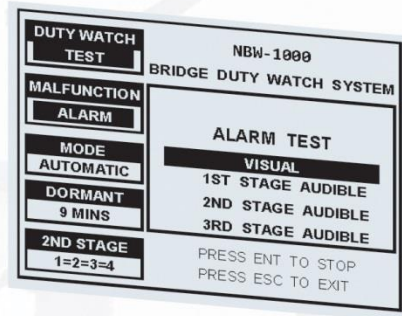


# NBW-1000

## BNWAS (Bridge Navigational Watch Alarm System)

- Displayed with LCD
- ON/OFF history record
- Alarm tone selectable
- Routine test available
- Password set by menu
- GPS input&VDR output available
- Type approval with MED, CCS and VR



- Conforms to the latest rules, including IMO MSC 128 (75) , IEC62616.
- 5.7' LCD used in control unit.
- Automatically record ON/OFF history.
- Pre-stored tones selectable for alarm.
- Password used to set operation mode and dormant time.
- 2nd alarm units can be selected separately.
- Test function and emergency call available.

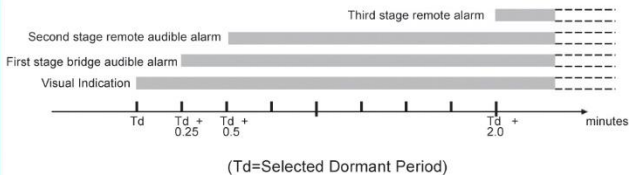


## SPECIFICATIONS

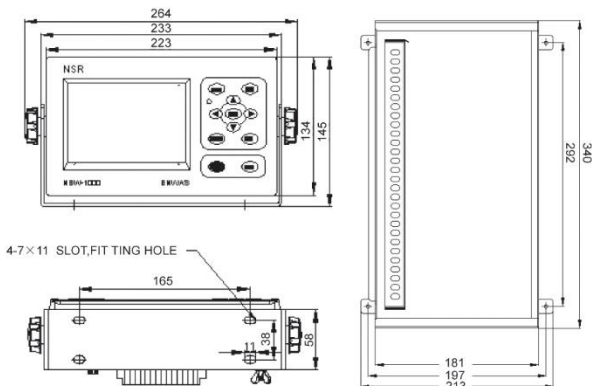
- Mode: Automatic, Manual, Off
- Alarm: Visual, 1<sup>st</sup> Stage Audio, 2<sup>nd</sup> Stage Audio, 3<sup>rd</sup> Stage Audio
- Dormant: 3~12 mins (selectable)
- Accuracy:  $\pm 5$  s
- Sound: 75~85dB (A)
- Power Input: DC24V/AC220V
- Input Port: RS422  $\times$  1 port, Reset ON/OFF  $\times$  9 CH
- Output Port: RS422  $\times$  1 port, Alarm  $\times$  10 CH, Failure Output  $\times$  1 CH

## WATCH ALARM CHART

Alarm sequence without acknowledgements



## SIZE DIMENSION



## EQUIPMENT LIST

### STANDARD

- |                 |           |           |
|-----------------|-----------|-----------|
| 1. Control Unit | NBW-1000  | 1 unit    |
| 2. Junction Box | NBW-1050J | 1 unit    |
| 3. Reset Unit   | NBW-1090R | 1-4 unit  |
| 4. Alarm Unit   | NBW-1010A | 1-10 unit |
| 5. Accessories  |           | 1 set     |

### OPTIONS

- Outdoor Unit NBW-1090RW
- Motion Sensor NBW-1090P
- Flush Mount Brackets for Display Unit

Junction Box



Alarm Unit



Reset Unit



Outdoor Unit



Motion Sensor

