



# Model F-3000W



- ★ Dual frequency navigation sounder
- ★ Type-approved by CCS and RMRS
- ★ Compliance with MED certified by BSH with wheel mark for EU flag vessels

## Featuring:

**I**MO resolution-compliant dual-frequency navigation sounder housed in electrostatically-shielded ABS plastic cabinet

**C**ertified to comply with EU Marine Equipment Directive (MED) and other applicable international standards for wheel mark certification

**7**-analog color, easy-on-the-eye echogram across 10.4" long-life CFL-backlit daylight-readable LCD screen

**F**ully automatic operation, tracking bottom contour with appropriate range, transmit power, receiver gain and TVG settings. Manual override is possible.

**S**tore up to 24 hours of sounding history for off-line applications, together with date, time stamping and with position coordinates (optional GPS sensor with NMEA data outputs required).

**E**externally acknowledgeable navigational and failure alarms by IEC-defined software commands

**P**assword-protected to prevent unauthorized changes to important system parameter settings

**B**uilt-in AC and DC power supplies, accepting a wide range of AC or DC voltages for safe operation, eliminating the need for an AC power adapter or a DC voltage regulator

## Specifications:

**Transducer Frequencies:** 50 and 200kHz (single housing); separate single frequency transducers optionally available.

**Screen:** 10.4" CFL-backlit LCD, daylight-viewing, VGA (640X480 pixel) resolution

**Depth Ranges:** 5 to 1000m in 8-range steps, automatic/manual selection; fathom/braccia/foot calibrations selectable

**Minimum Detectable Depth:** Better than 50cm (200 kHz), 1m (50 kHz)

**Transmit Power:** Approx. 1 kW RMS with automatic selection of optimum power level and pulse length for range in use

**Soundings Data Storage:** Up to 24 hours in non-volatile memory; retrievable from PC/INS device via RS-422 port

**Digital Interfaces:** 1XRS-422 port, 1XRS-232C port, 1X8-pin I/O DATA port (NMEA-0183/RS-232C level), 1XCentronics

**Power Requirements:** 11 to 40VDC, approx. 18W or 110-220 VAC, approx. 30 VA

**Cabinet Weight:** Approx. 6.6 kg (with mounting bracket)

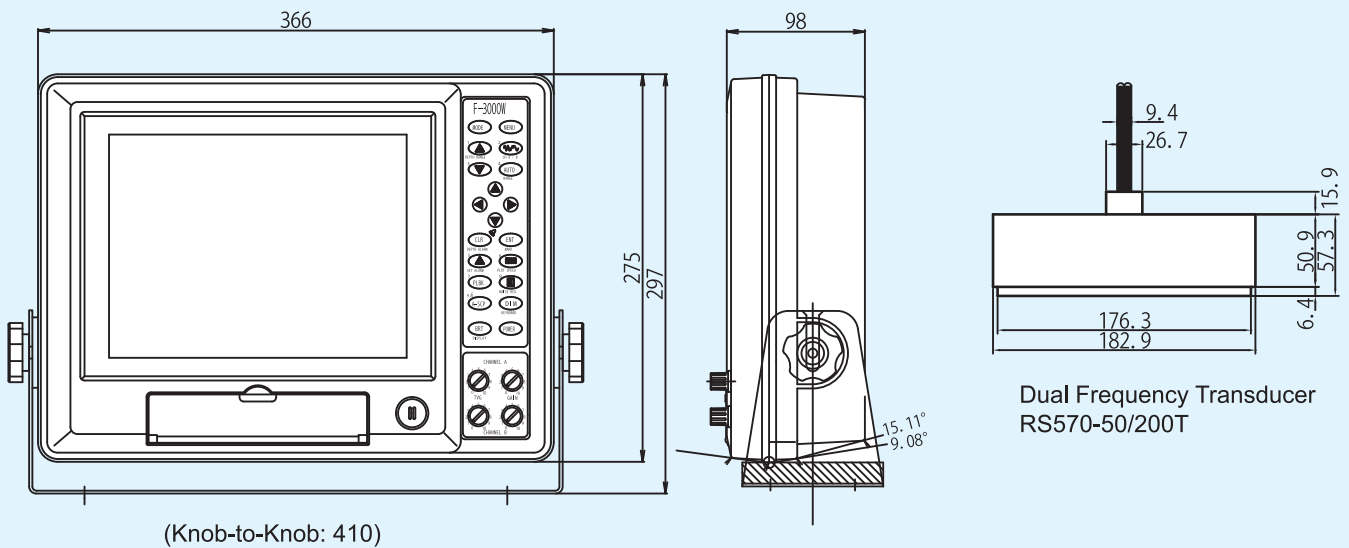
**Environment:** Compliant with IEC 60945-2002 (protected category), IPX4

**Compass Safe Distances:** 2.4m (standard) with bracket attached

**Major Compliant Standards:** IMO Resolutions MSC.74(69) & A.694(17), IEC 60945, IEC 61162-1, ISO 9875, MED 2011/75/EU

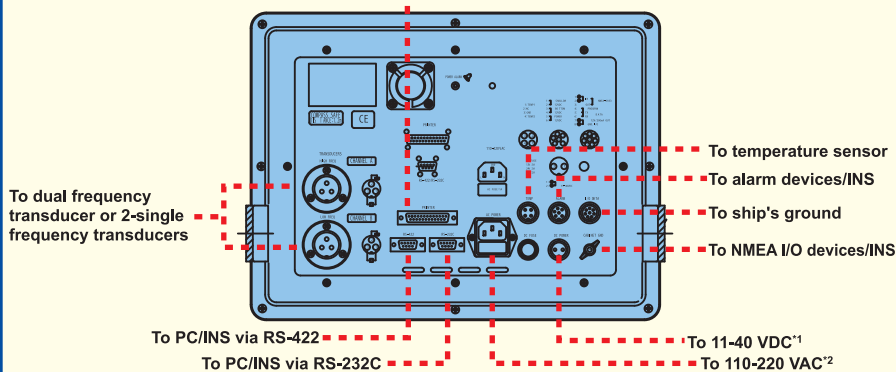
NOTE: Specifications are subject to change without notice or obligation.

## Dimensions (mm)



## System Configuration

To printer via Centronics port



\*1: If system is powered by AC source, this connection is not required.  
\*2: If system is powered by DC source, this connection is not required.

## Standard Equipment

(1 pc. each, except as specified):

- F-3000W Navigation Sounder
- Dual Freq. Transducer (50/200kHz) with 15m cable
- DC Power Supply Cable (3.5m, with 1X2-pin plug)
- Mounting Hardware (bracket) with 2 pcs. knobs
- Plug Adapter (with 2X3-pin plugs, 1X7-pin plug)
- Fuses (2 pcs. each)
  - DC: 5A/125V, 3A/125V, 2A/125V; size: 6.4X30mm
  - AC: 3A/250V; size: 5X20mm
- Plugs:
  - 6-pin plug for ALARM receptacle
  - 8-pin plug for I/O DATA receptacle
- User's Manual